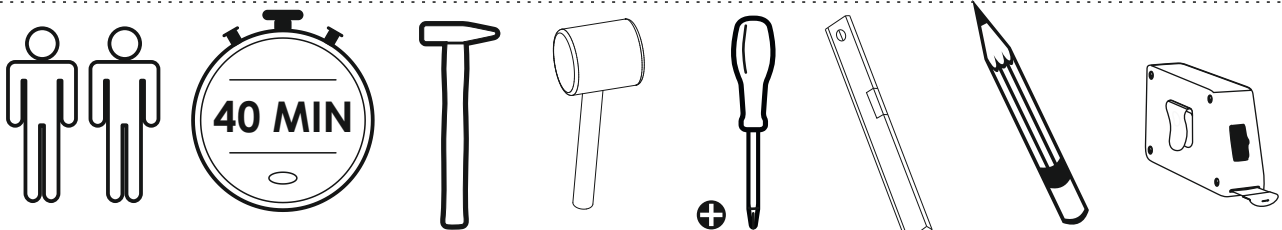
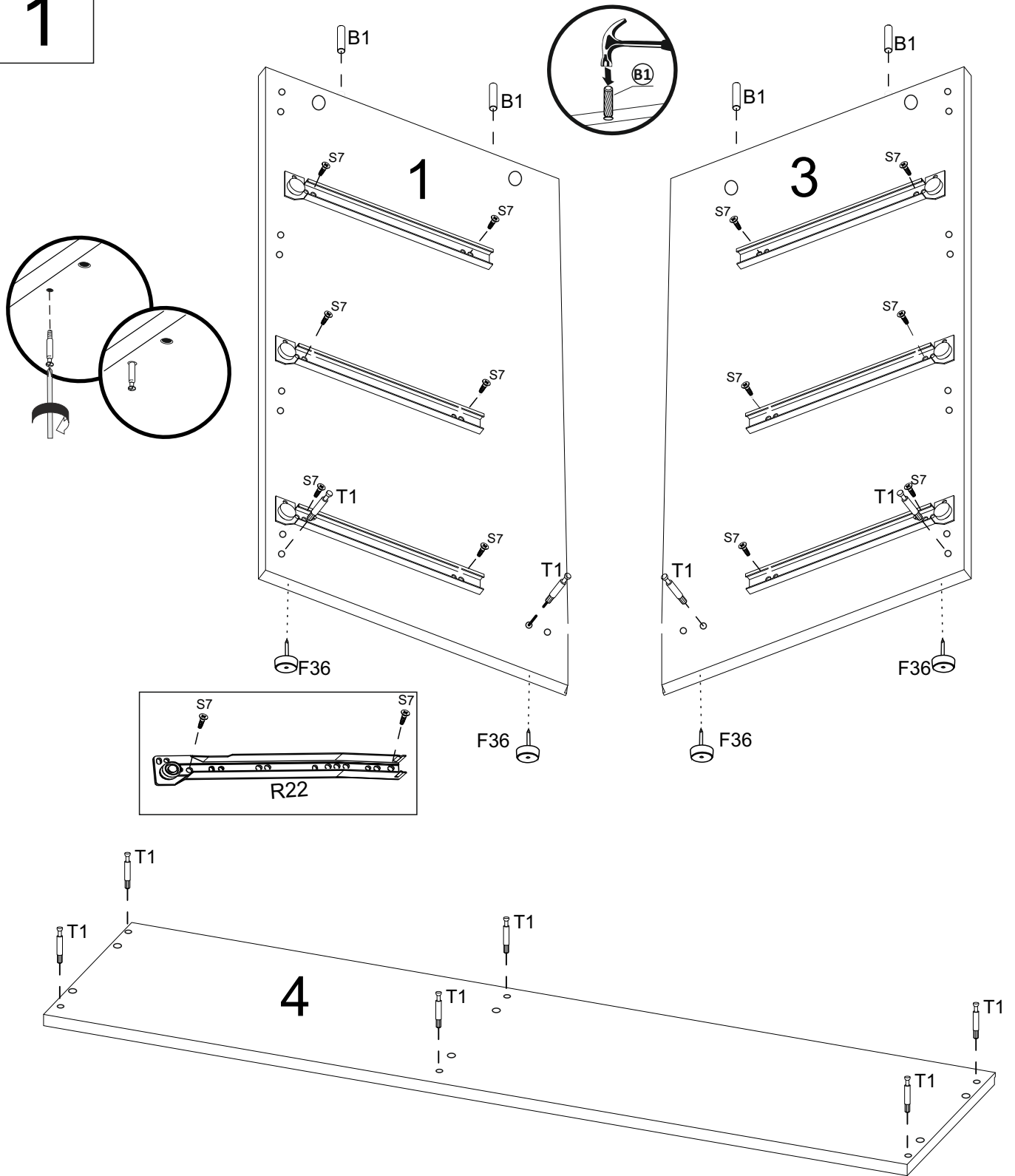


B1 8x35 x46	M1 12x15 x26	T1 x22	C2 x12	R22 250mm x6
S6 4x16 x18	F36 x6	G2 x66	T19 x2	V 570mm x2
G7 x1	S7 5x9 x24	S8 3x20 x24	T3 x2	
K5 x8	L1 x2	K1 7x50 x12	B2 8x55 x8	



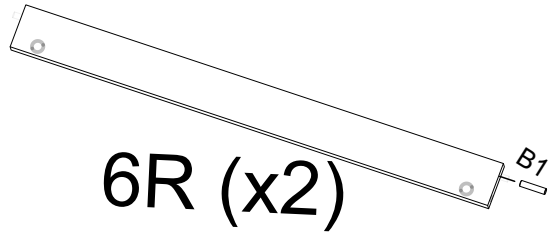
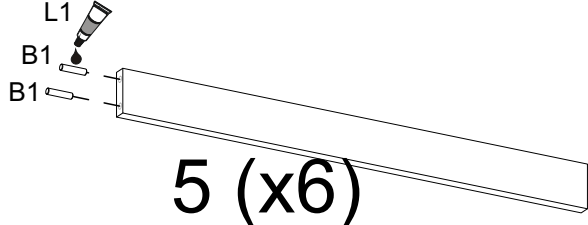
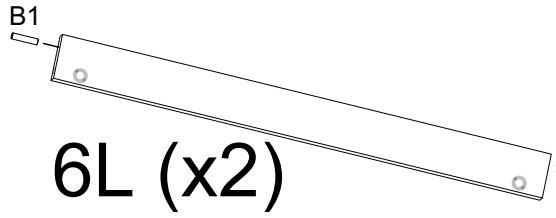
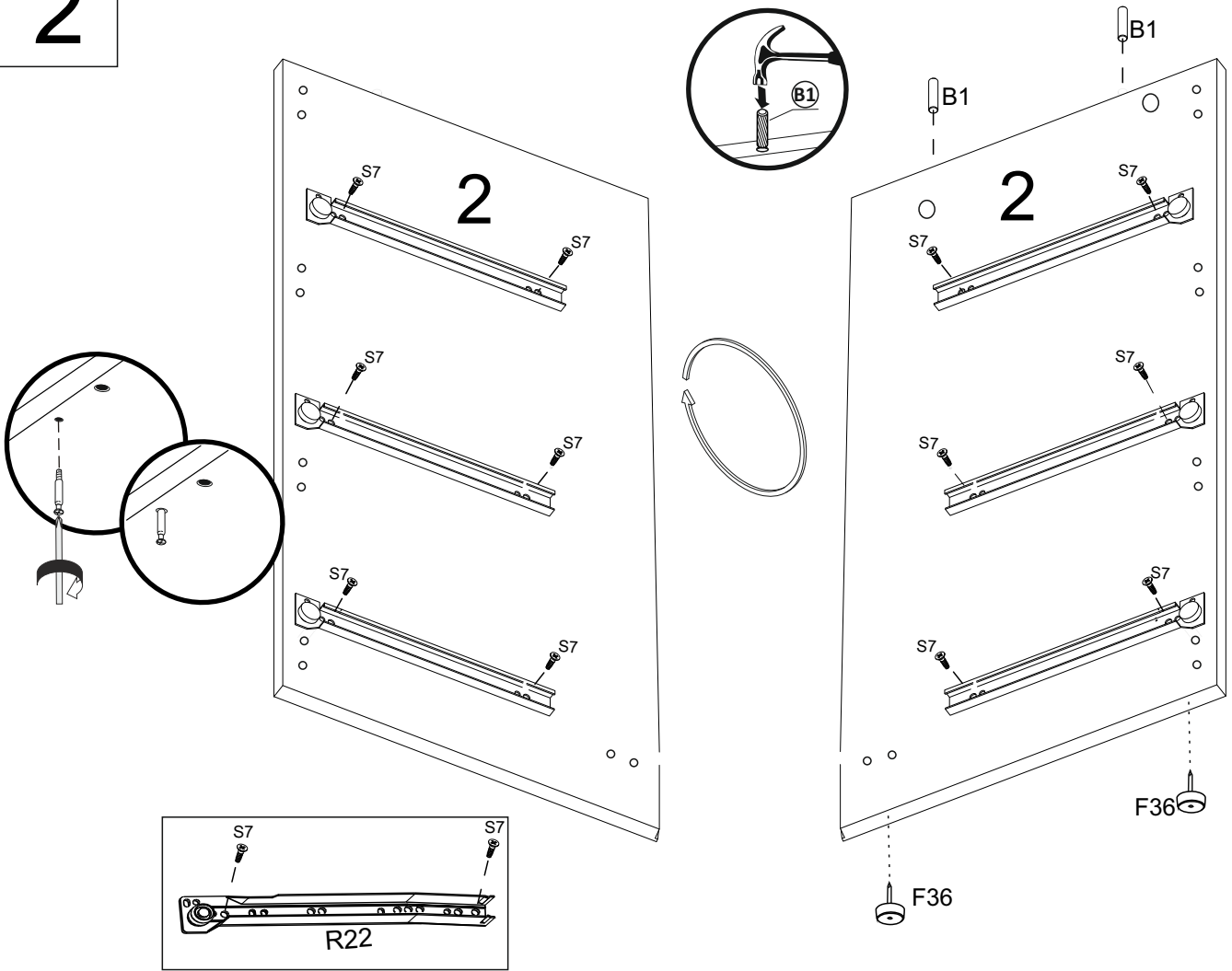
1



B1 8x35 x4	T1 x10	R22 250mm x3
S7 x12	F36 x4	

2

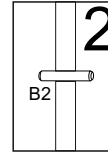
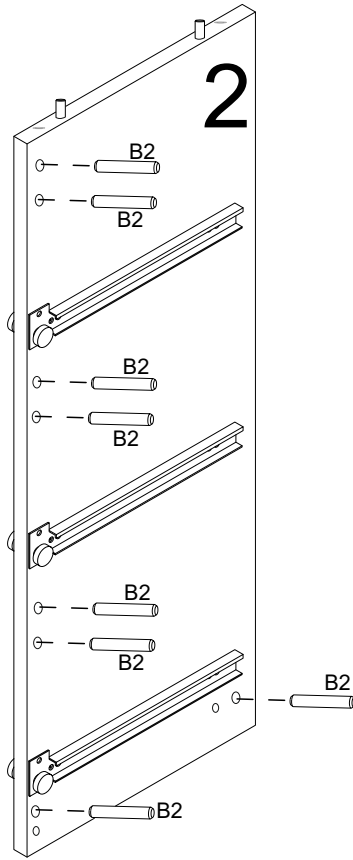
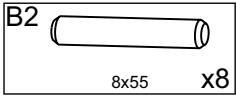
2



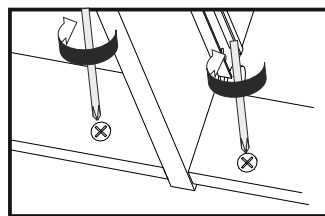
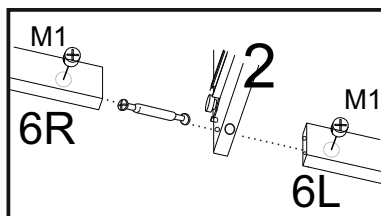
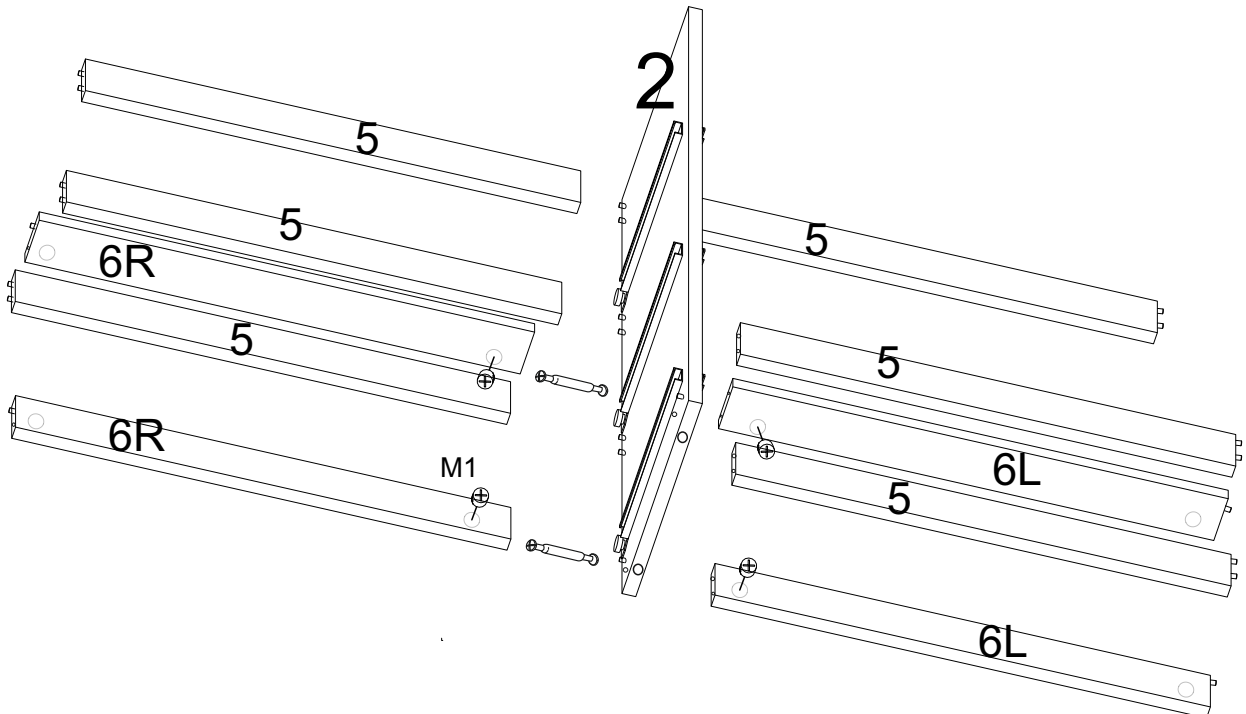
B1 8x35 x18	L1 x1	R22 250mm x3
S7 x12	F36 x2	

3

3



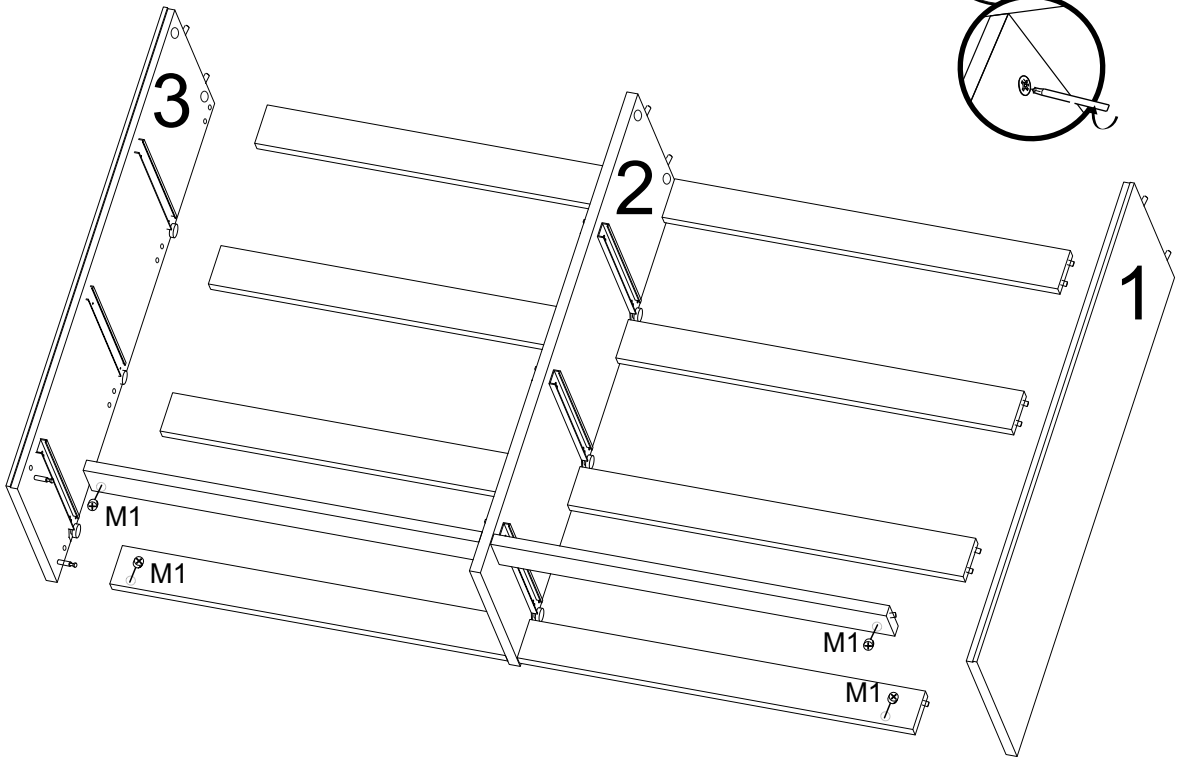
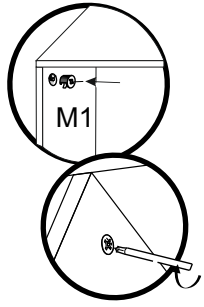
4



4

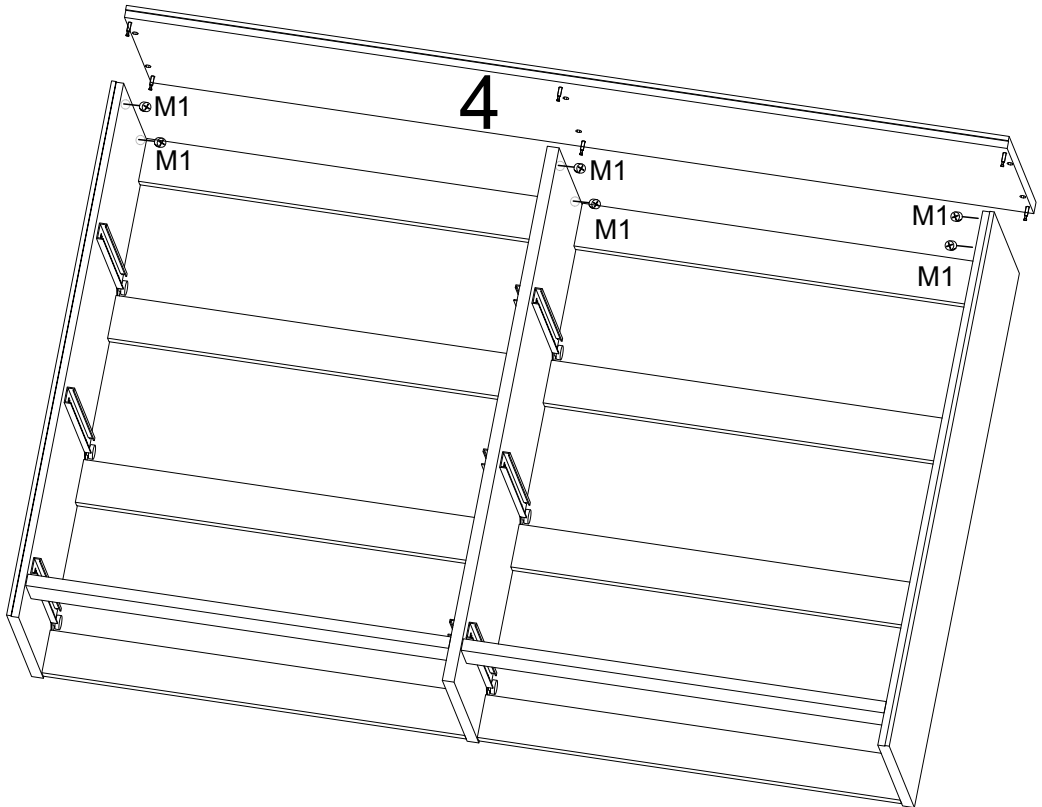
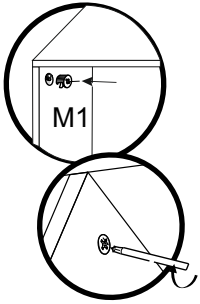
5

M1  
12x15 x4

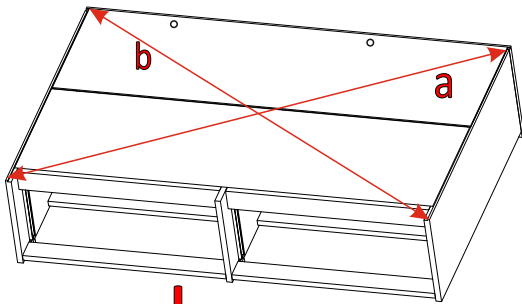
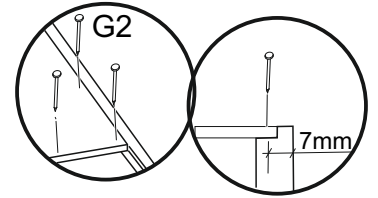
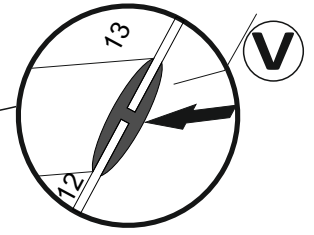
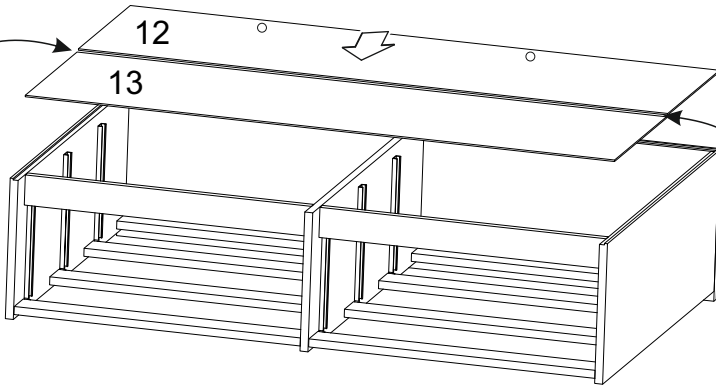
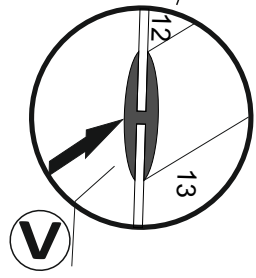


6

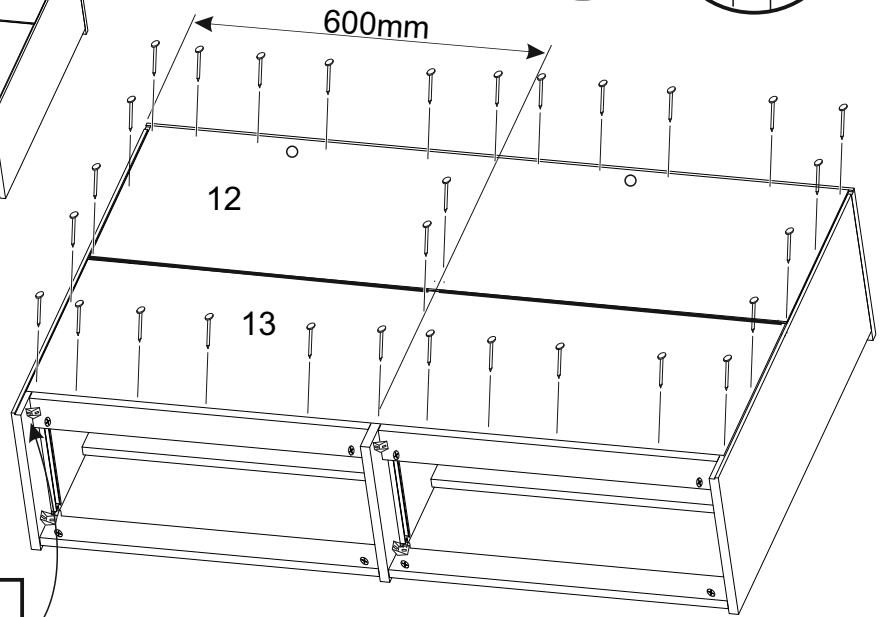
M1  
12x15 x6



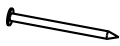



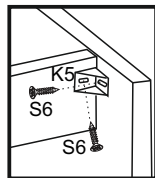
7



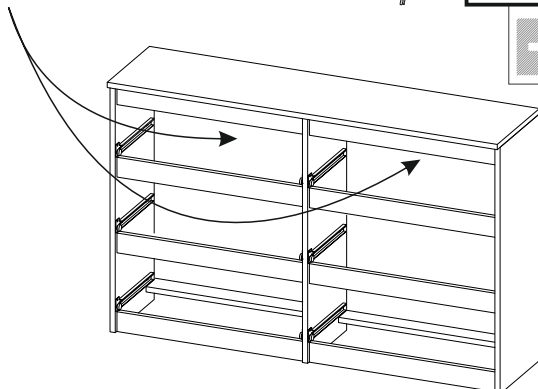
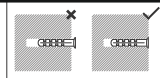
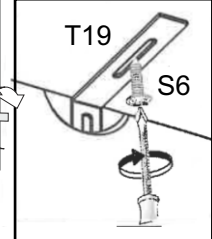
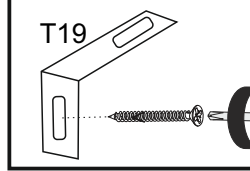
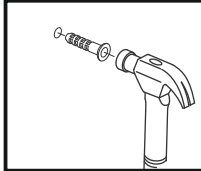
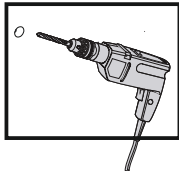
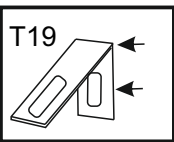
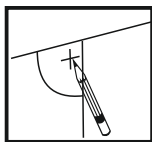
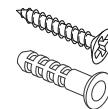
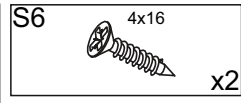
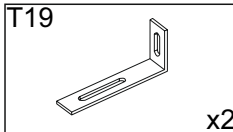
a=b



- K5  x8
- V  570mm x2
- G2  x30
- S6  4x16 x16

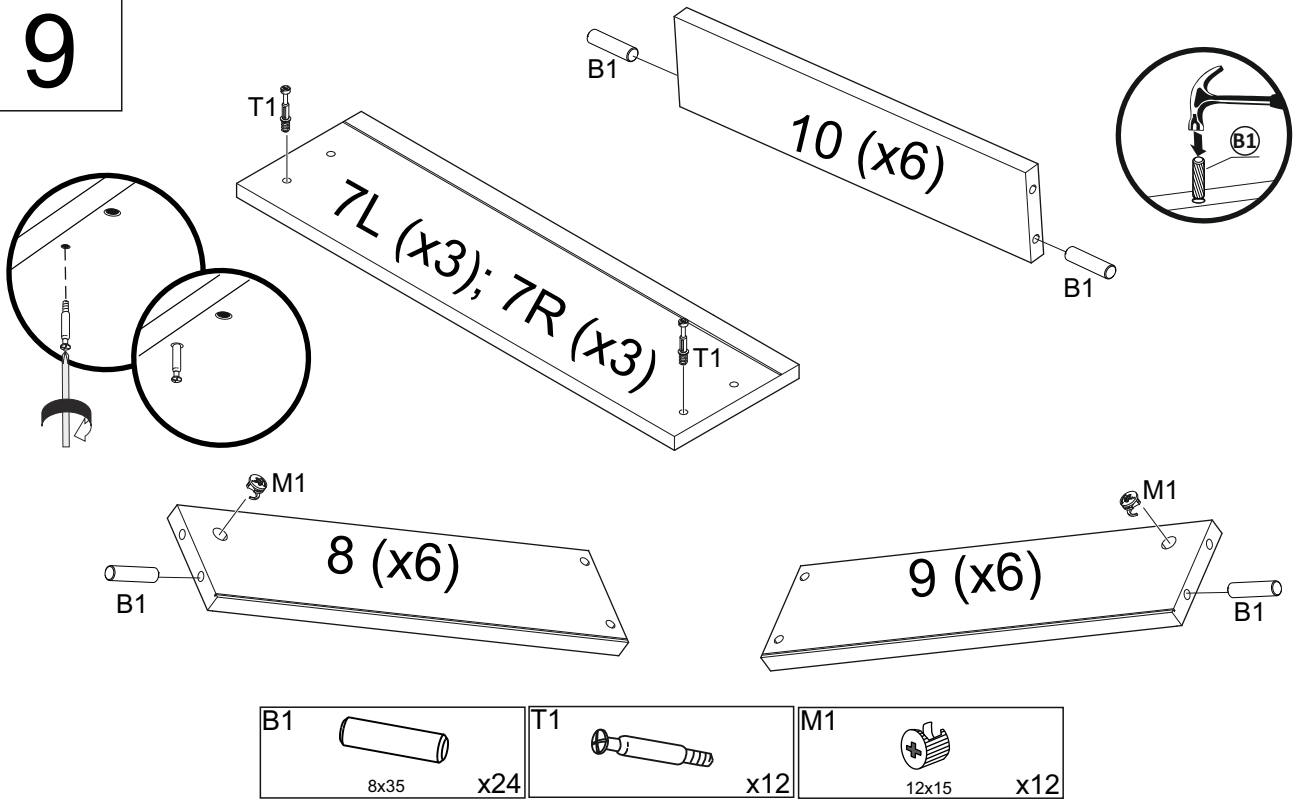


8

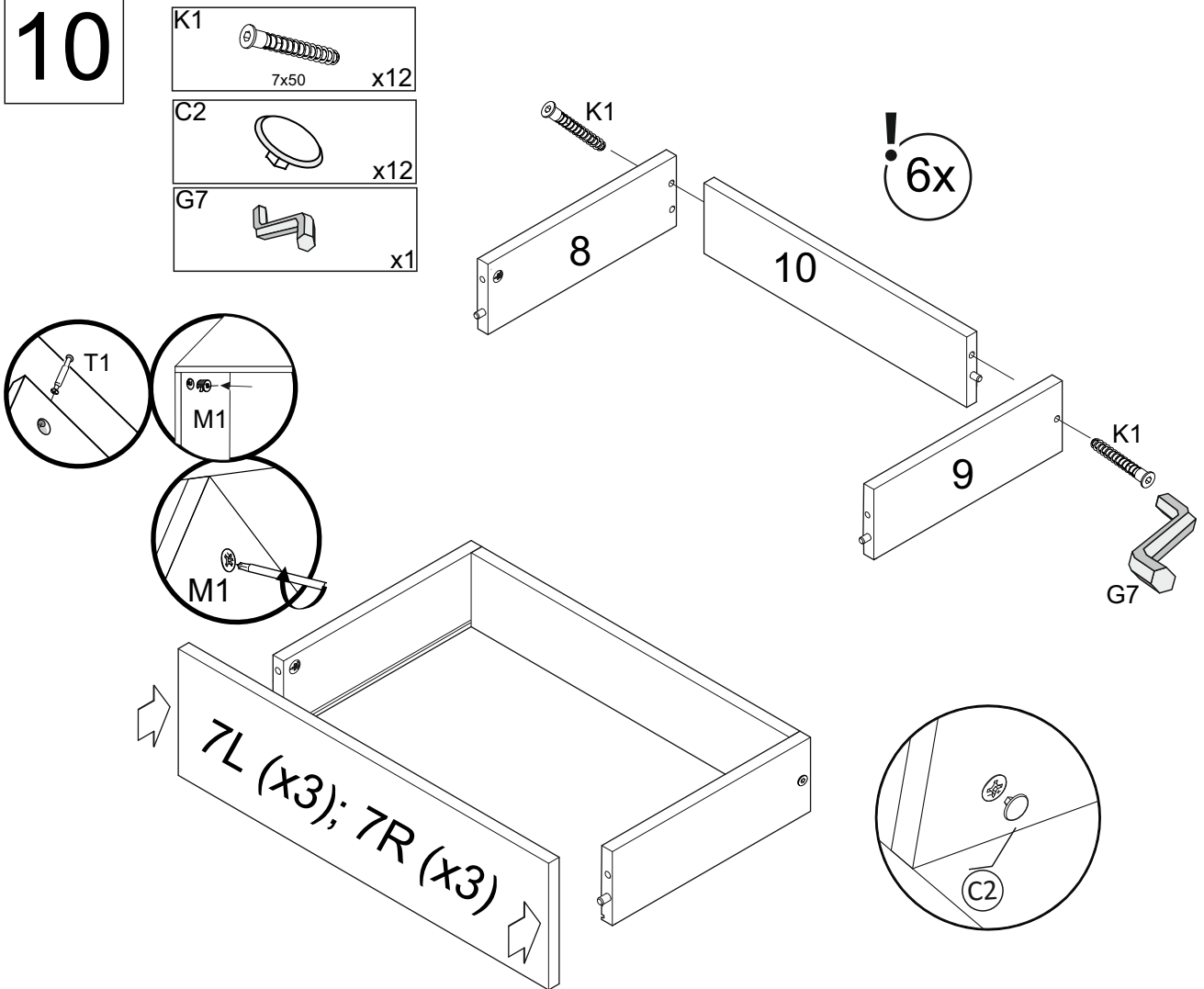


6

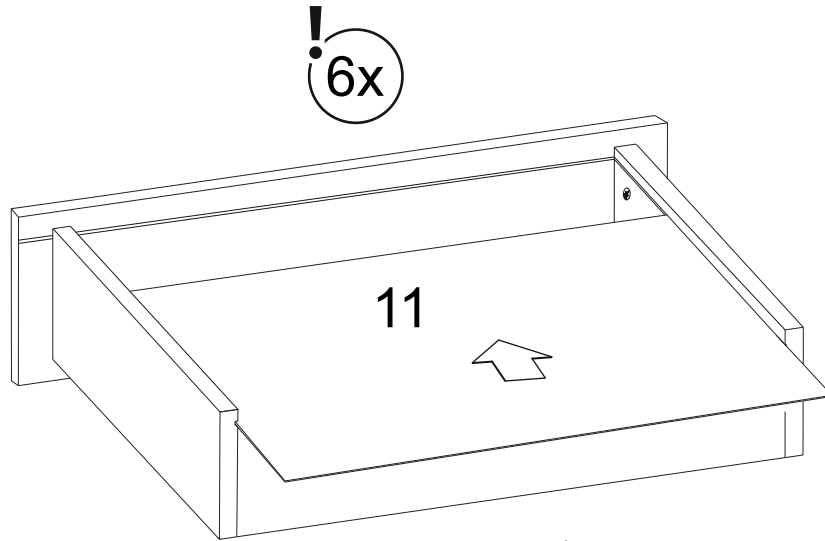
# 9



# 10

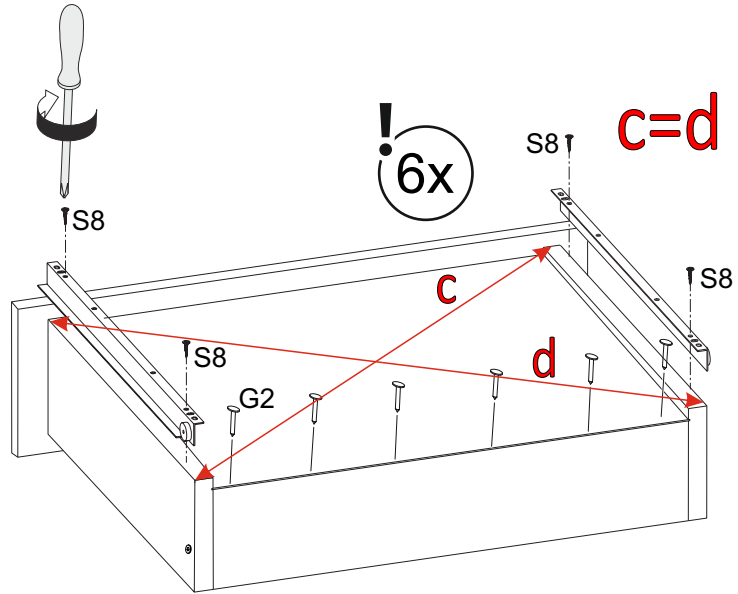


11

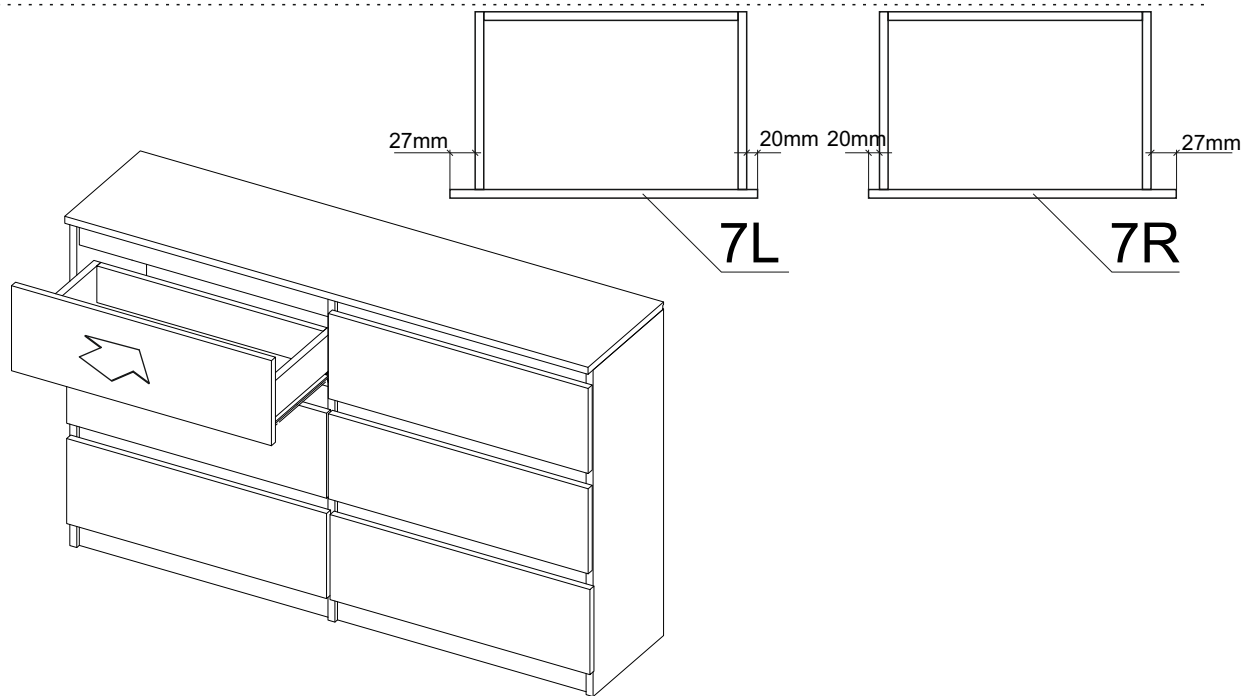


12

- S8  
3x20 x24
- R22  
250mm x6
- G2  
x36



13



8